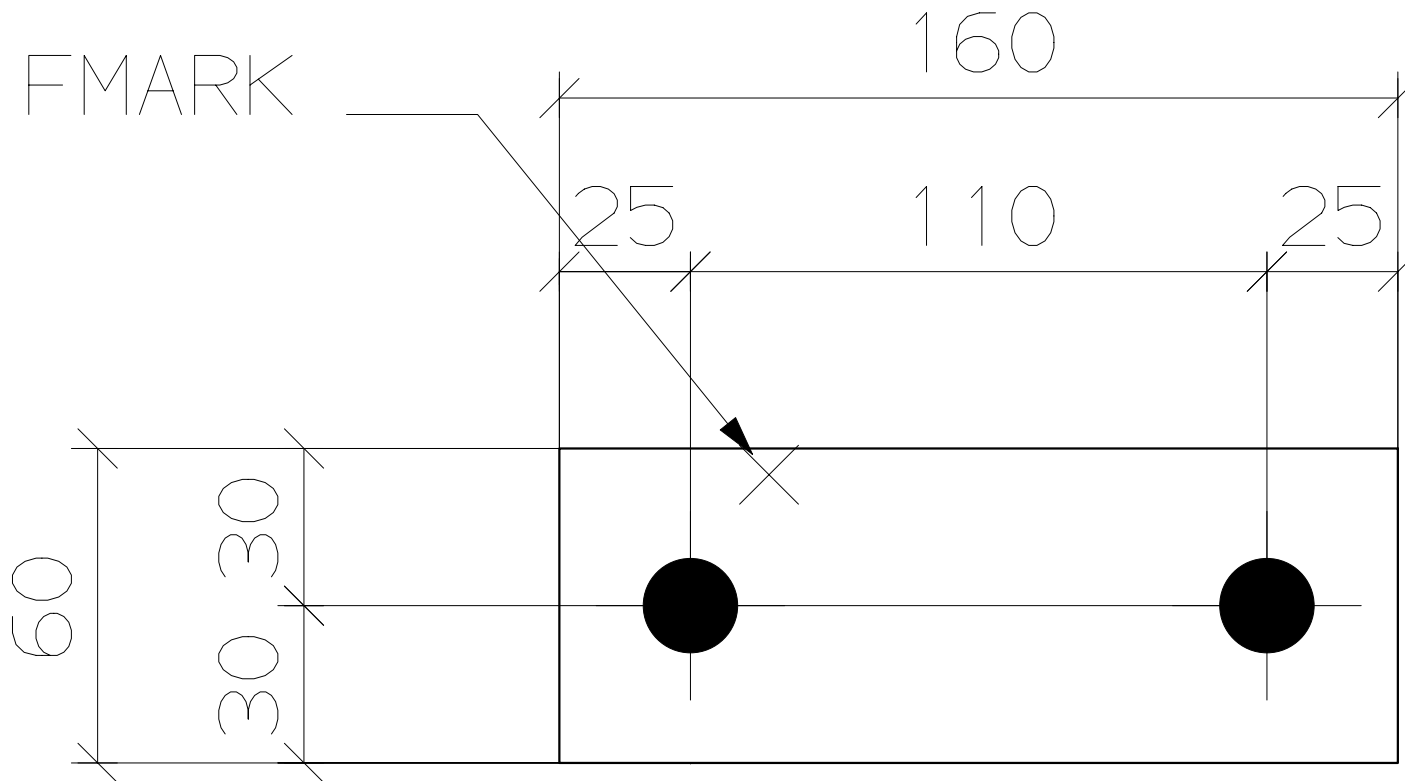


ALLOCATION TO MEMBERS			
MEMBER MARK	NO IN ONE MEMB	NO OF MEMBS	TOTAL REQ'D
001	1	4	4
SUM			4



60X8PL X 160

4 REQUIRED AS DRAWN MARKED F004

STRUCAD

GENERAL NOTES:
 TOTAL WEIGHT 0.6 kg. Kg.
 STEEL GRADE 300+
 ALL HOLES 18 mm DIA UNO.

AceCad
 SOFTWARE

Suite 1, 353 Cambridge St.
 Wembley 6014 W.A.
 Tel: +61 8 9284 1555
 Fax: +61 8 9284 1577
 www.acecad.net.au

Developers of StruCad
 The World's Leading 3d Structural Detailing System

CLIENT LOGO

The Client logo is inserted using
 the CTL file for your base drawing

PROJECT

AREA

TITLE
 FITTING DETAILS

GENERAL NOTES.

DRN. SC

DATE. 10/03/08

CHK. XXX

CLIENT JOB No. XXXXX

JOB No. ex

SCALE. NTS

DRG No.

F004

REV.